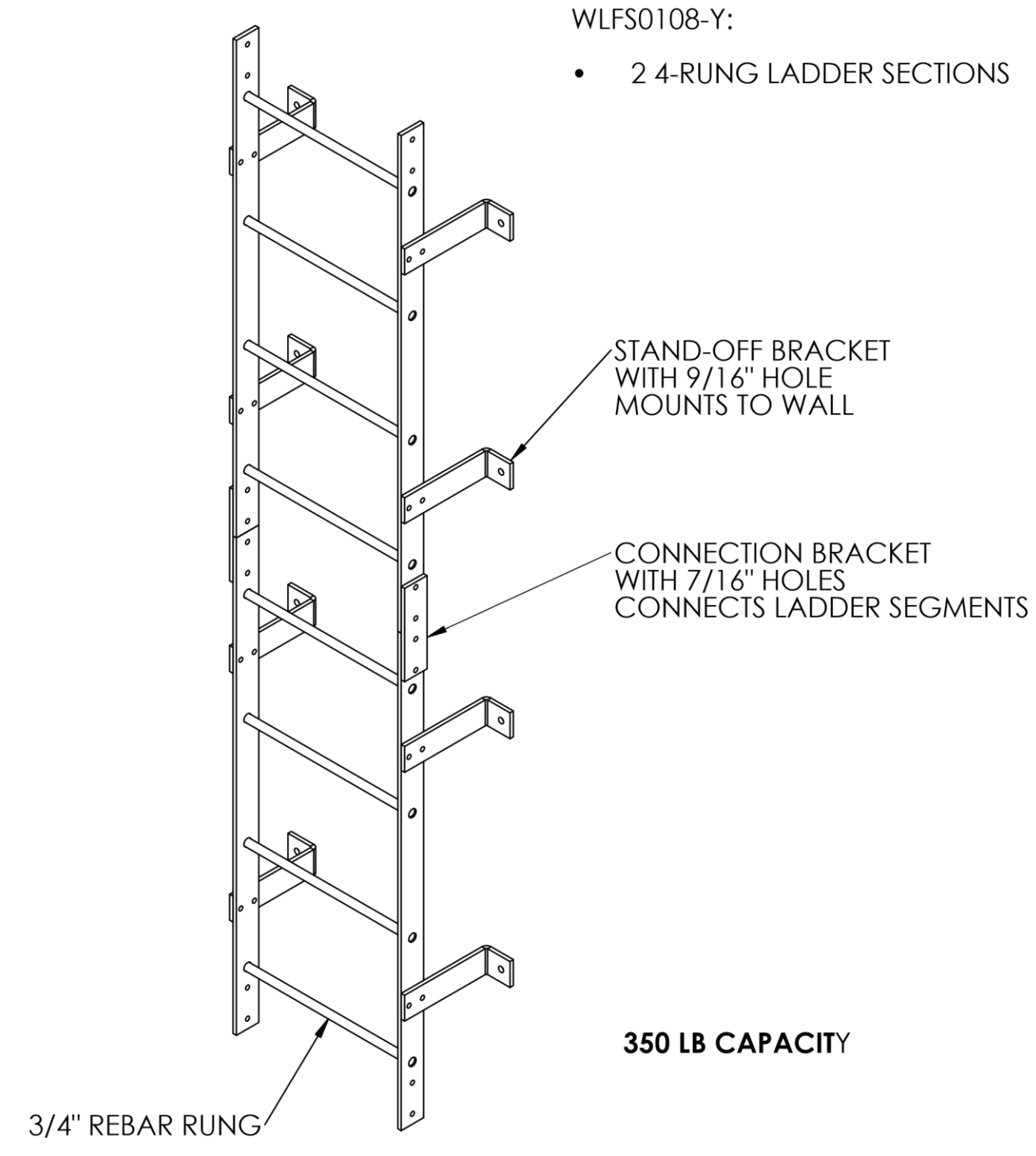
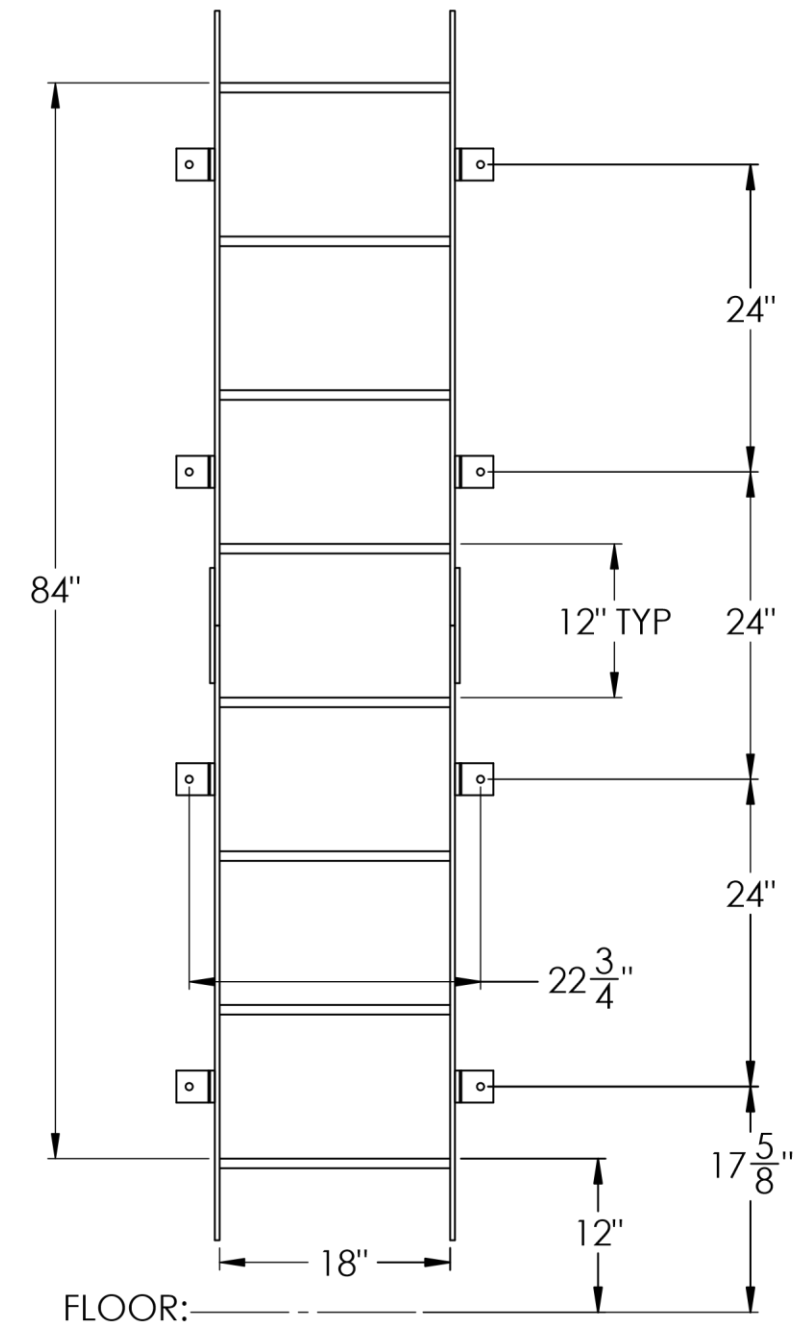
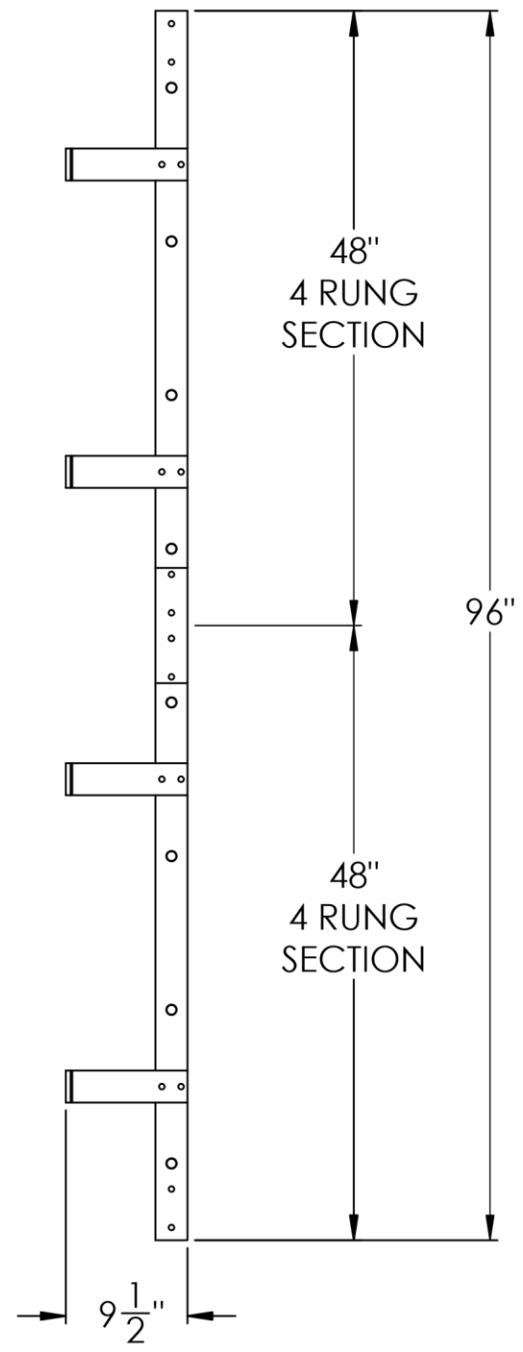


8 7 6 5 4 3 2 1

D
C
B
A



APPROVAL SIGNATURE:				TITLE: WLF0108-Y			
DATE:							
PROPRIETARY AND CONFIDENTIAL THE INFORMATION CONTAINED IN THIS DRAWING IS THE SOLE PROPERTY OF THE MANUFACTURER. ANY REPRODUCTION IN PART OR AS A WHOLE WITHOUT THE WRITTEN PERMISSION OF THE MANUFACTURER IS PROHIBITED.	LEAD TIME			SIZE B	DWG. NO. WLF0108-Y	REV	
	MATERIAL						
	FINISH			SCALE: 12	WEIGHT:	SHEET 1 OF 1	
DO NOT SCALE DRAWING				DRAWN	KSR	5/24/22	

8 7 6 5 4 3 2 1