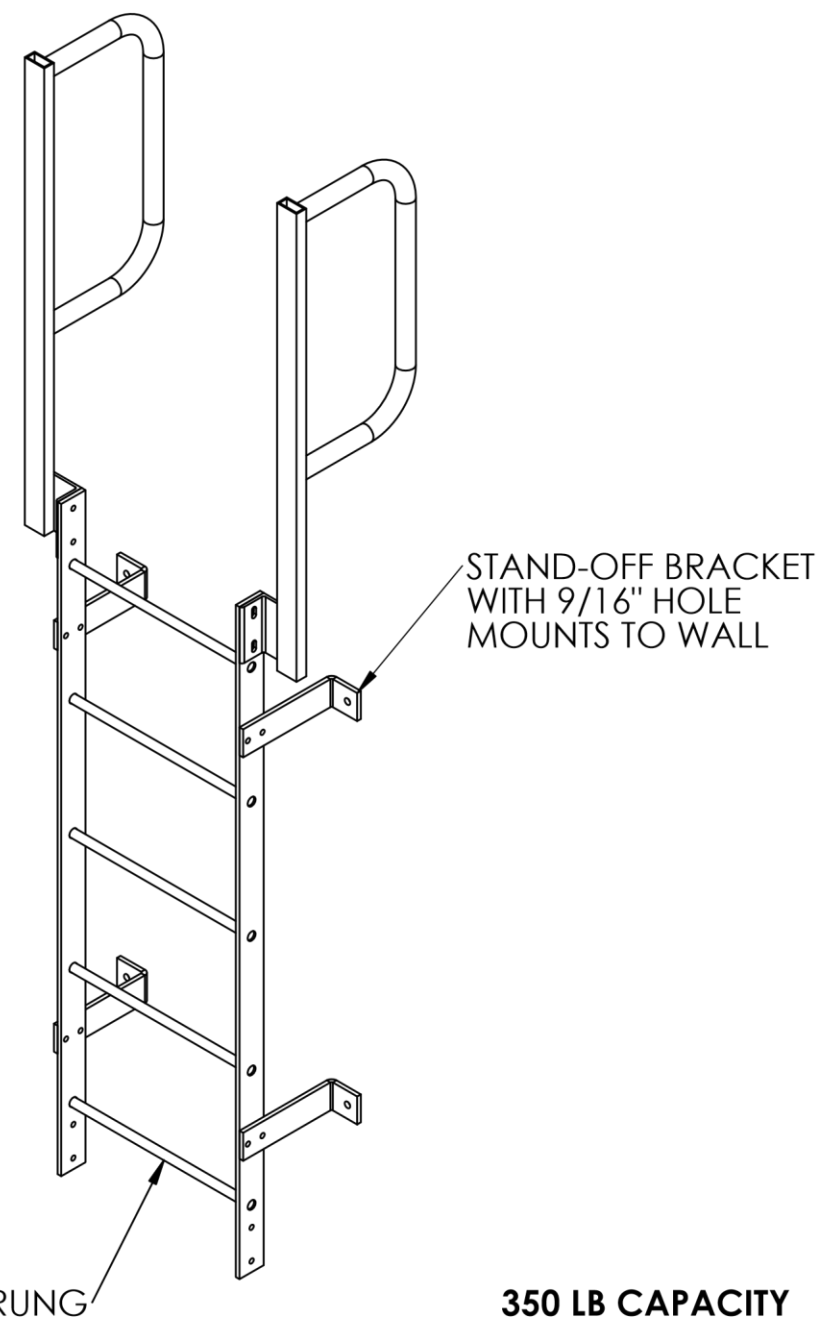
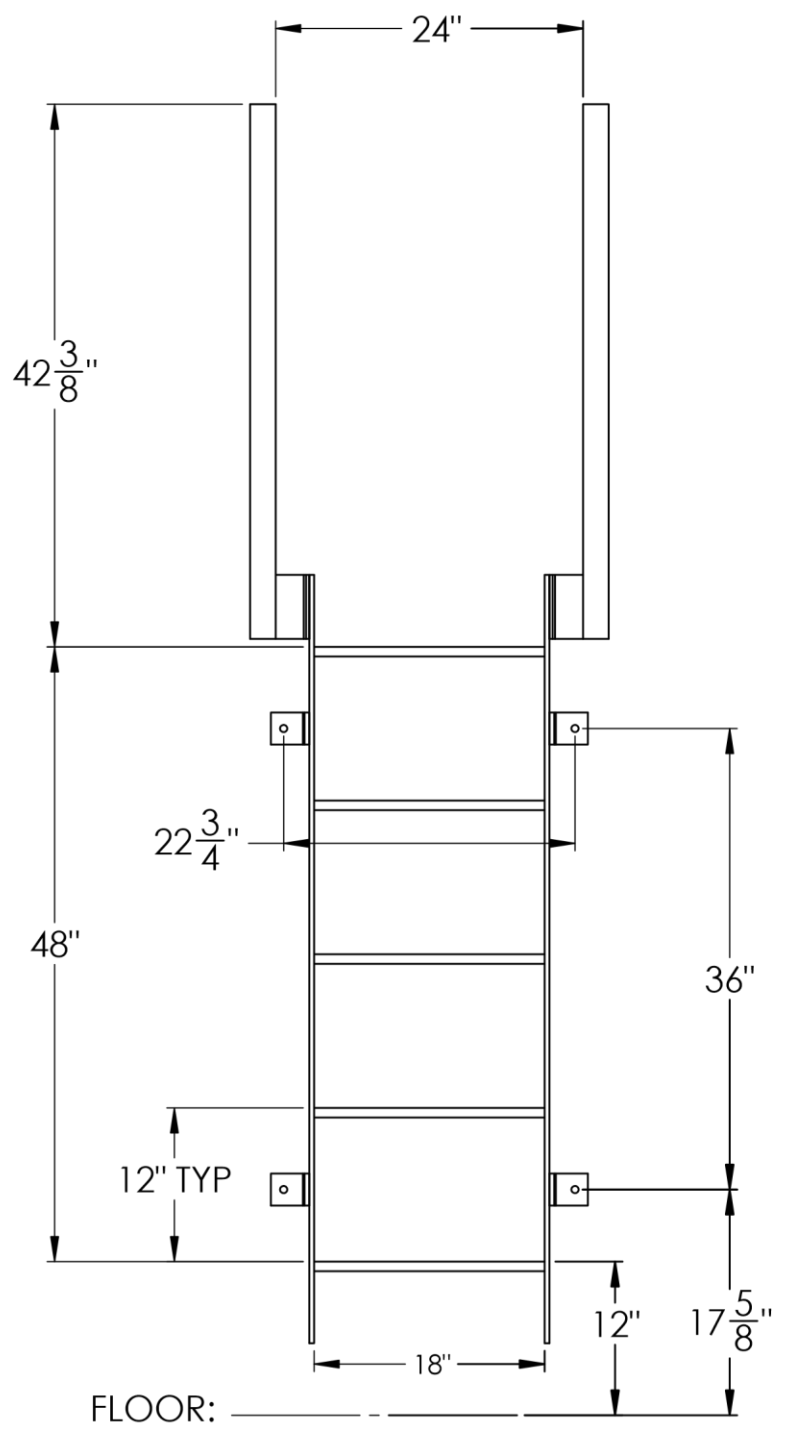
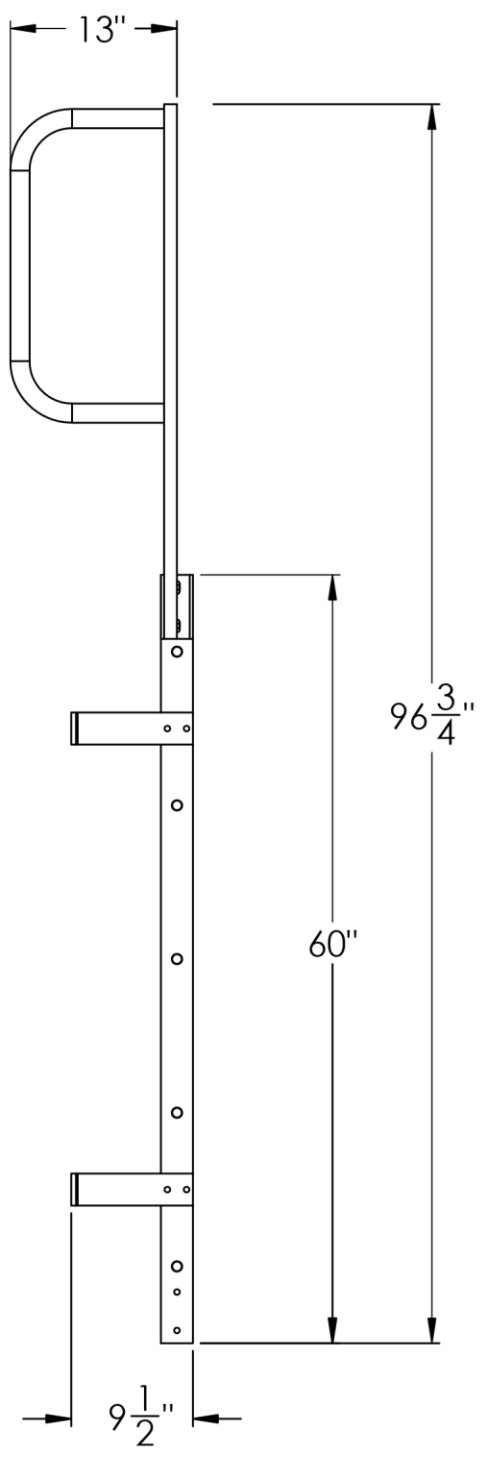


8 7 6 5 4 3 2 1

- WLFS0205-Y:
- 1 5-RUNG LADDER SECTION
  - 1 WALK-THRU ASSEMBLY



D  
C  
B  
A

D  
C  
B  
A

APPROVAL SIGNATURE:		TITLE: WLFS0205-Y		
DATE:		SIZE B DWG. NO. WLFS0205 REV 00		
PROPRIETARY AND CONFIDENTIAL THE INFORMATION CONTAINED IN THIS DRAWING IS THE SOLE PROPERTY OF THE MANUFACTURER. ANY REPRODUCTION IN PART OR AS A WHOLE WITHOUT THE WRITTEN PERMISSION OF THE MANUFACTURER IS PROHIBITED.	LEAD TIME	DRAWN		KSR 5/23/22
	MATERIAL Steel FINISH Gray DO NOT SCALE DRAWING	SCALE: 1:12		WEIGHT: 81.854 SHEET 1 OF 1

8 7 6 5 4 3 2 1